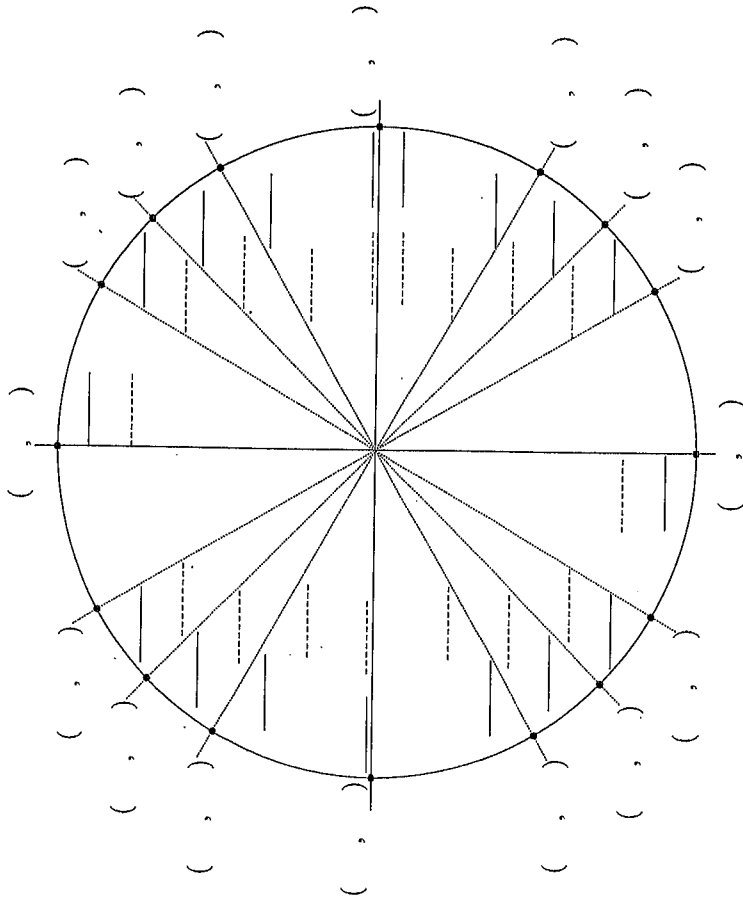


## The Unit Circle

Practice filling in this unit circle until you can complete it in 5 minutes.

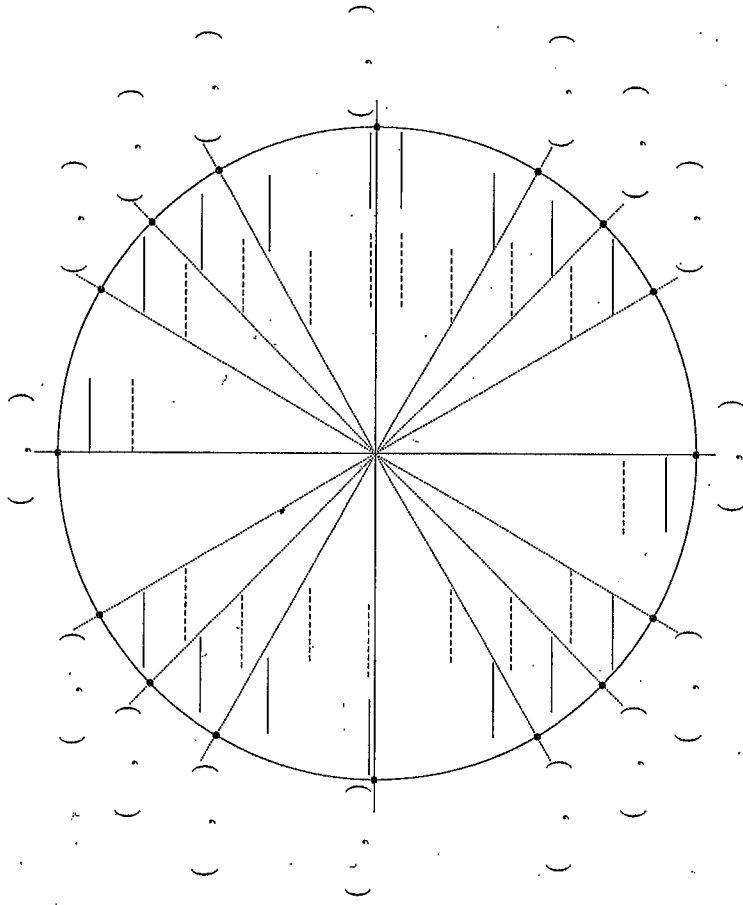
Place the degree angle measure of each angle in the dashed blanks inside the circle, and the radian measure of each angle in the solid blanks inside the circle. Place the coordinates of each point in the ordered pairs outside the circle.



## The Unit Circle

Practice filling in this unit circle until you can complete it in 5 minutes.

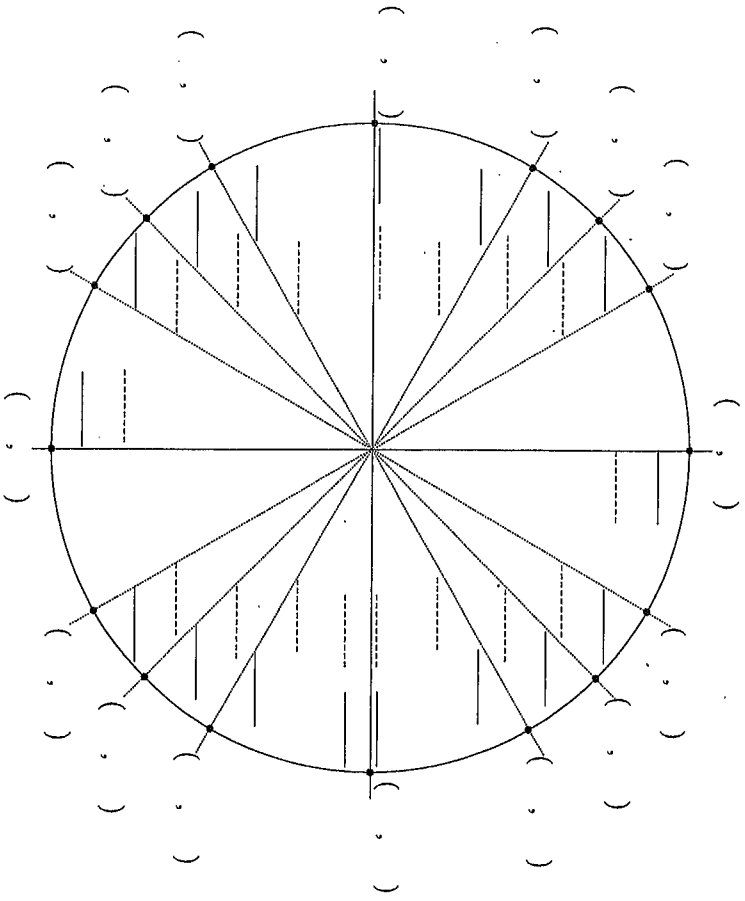
Place the degree angle measure of each angle in the dashed blanks inside the circle, and the radian measure of each angle in the solid blanks inside the circle. Place the coordinates of each point in the ordered pairs outside the circle.



## The Unit Circle

Practice filling in this unit circle until you can complete it in 5 minutes.

Place the degree angle measure of each angle in the dashed blanks inside the circle, and the radian measure of each angle in the solid blanks inside the circle. Place the coordinates of each point in the ordered pairs outside the circle.



## The Unit Circle

Practice filling in this unit circle until you can complete it in 5 minutes.

Place the degree angle measure of each angle in the dashed blanks inside the circle, and the radian measure of each angle in the solid blanks inside the circle. Place the coordinates of each point in the ordered pairs outside the circle.

